

PROJECT NAME:	
CATALOG NUMBER:	FIXTURE TYPE:
VOLTS/WATTS:	LAMPS/BOARD:



BOLLARDS - 15W LED

OUTDOOR LIGHTING

REPLACES 75W-100W MH

FEATURES

- Extruded Aluminum Housing with Flush Mounting Base & Vandal-Resistant Screws
- Flat Top or Dome Top Design with Aluminum Cone Reflector
- Powder Coat Finish Over a Chromate Conversion Coating, Available in White, Black, or Bronze
- Internal Ballast Tray for Easy Maintenance
- Clear Polycarbonate Lens
- Mounting Kit with 8" Anchor Bolts (Included), Additional Lengths Available
- Listed for Wet Locations
- 5 Year Warranty



SUITABLE APPLICATIONS

- Walkways
- Boardwalks
- Parking Lots

LED SYSTEM

	BLFT	BLDT
Calculated L70 (TM-21)	>50K ⁽¹⁾	>50K ⁽¹⁾
Delivered Lumens	1,101 lm	1,221 lm
Total Input Watts	17.76 W	16W
Luminaire Efficacy Rating (LER)	62 lm/W	74 lm/W
Correlated Color Temperature (CCT)	4000 K	4000 K
Color Rendering Index (CRI)	> 80	> 80
Max Ambient Temp	110° F	110° F
Universal Driver	120-277 V	120-277 V

LED System data above based on BLFT-15WLED-UNIV-4000K, BLDT-15WLED-UNIV-4000K

⁽¹⁾LED Lumen Maintenance Estimates based on TM-21 projections for the light source at 25° C ambient

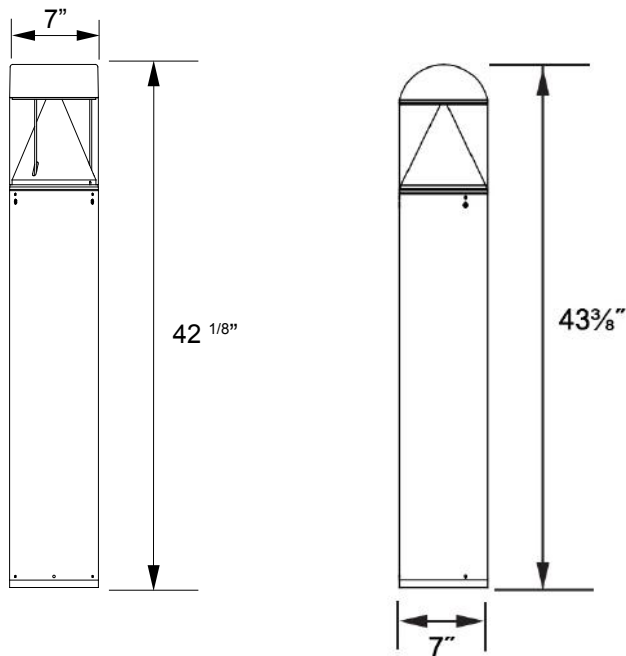


Ordering Guide

BLFT	15WLED	UNIV	4000K	eg: WHP	
Series	LED	Driver	Color	Options	
<input type="checkbox"/> BLFT Flat Top Bollard	<input type="checkbox"/> 15WLED 1x88 Board	<input type="checkbox"/> UNIV 120-277 Driver	<input type="checkbox"/> 4000K	<input type="checkbox"/> WHT White Paint (Std)	
<input type="checkbox"/> BLDT Dome Top Bollard				<input type="checkbox"/> BLK Black Paint	
				<input type="checkbox"/> BRN Bronze Paint	
				<input type="checkbox"/> RPL Replacement Polycarbonate Lens	
				<input type="checkbox"/> AB4 Bracket & Three (3) 4" Anchor Bolts	
				<input type="checkbox"/> AB12 Bracket & Three (3) 12" Anchor Bolts	
				<input type="checkbox"/> AB15 Bracket & Three (3) 15" Anchor Bolts	
				<input type="checkbox"/> 90BS 90° Beam Spread	
				<input type="checkbox"/> 180BS 180° Beam Spread	
				<input type="checkbox"/> 270BS 270° Beam Spread	

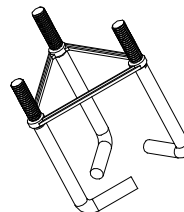
BOLLARDS - 15W LED

OUTDOOR LIGHTING

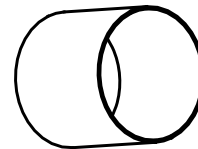


MOUNTING OPTIONS & ACCESSORIES

- AB4 - Mounting Kit, Includes Bracket & Three (3) 4" Anchor Bolts
- AB12 - Mounting Kit, Includes Bracket & Three (3) 12" Anchor Bolts
- AB15 - Mounting Kit, Includes Bracket & Three (3) 15" Anchor Bolts
- RPL - Replacement Polycarbonate Lens



ABx (x = inches, 4, 8, 12, 15)



RPL

BLFT-15WLED-UNIV-4000K

LUMINAIRE OUTPUT = 1104 LM
120.0V 0.1481A 17.75W

SUMMARY DATA

HEMISPHERES TESTED:	BOTH
EFFICIENCY (DOWN/UP):	95.2%/4.8%
EFFICIENCY (STREET/HOUSE):	50.5%/49.5%
ROADWAY CLASSIFICATION:	TYPE VS
CUTOFF CLASSIFICATION:	T1109.55
LUMENS/LAMP:	1
NO. OF LAMPS:	1
LUMINOUS OPENING: RECTANGULAR:	
Diameter:	0.58 (Feet)
Height:	0.52

INPUT WATTS: 17.8

PLANE AND CONE DIAGRAM

Max plane at H = 180
Max cone at V = 42.5
MAX CANDLEPOWER: 408.7

Photometric values based upon tests performed in compliance with LM-79. IES files can be downloaded at www.ilp-inc.com

lighting facts
A Program of the U.S. DOE

LUMINAIRE OUTPUT = 1104 LM
119.9V 0.1378A 16.46W

SUMMARY DATA

Light Output (Lumens)	1101
Watts	17.76
Lumens per Watt (Efficacy)	62
Color Accuracy Color Rendering Index (CRI)	86
Light Color Correlated Color Temperature (CCT)	4090 (Bright White)

Color Scale: Warm White (2700K), Bright White (3000K), Daylight (4000K), Cool White (5000K)

PLANE AND CONE DIAGRAM

Max plane at H = 180
Max cone at V = 42.5
MAX CANDLEPOWER: 408.7

Photometric values based upon tests performed in compliance with LM-79. IES files can be downloaded at www.ilp-inc.com

BLDT-15WLED-UNIV-4000K

LUMINAIRE OUTPUT = 1209.898 LM
119.9V 0.1378A 16.46W

SUMMARY DATA

HEMISPHERES TESTED:	BOTH
EFFICIENCY (DOWN/UP):	94.8%/5.2%
EFFICIENCY (STREET/HOUSE):	49.9%/50.1%
ROADWAY CLASSIFICATION:	TYPE VS
CUTOFF CLASSIFICATION:	SEMICUTOFF
LUMENS/LAMP:	1209.898
NO. OF LAMPS:	1
LUMINOUS OPENING: VERTICAL CYLINDER:	
Diameter:	0.58 (Feet)
Height:	0.58

INPUT WATTS: 16.46

PLANE AND CONE DIAGRAM

Max plane at H = 180
Max cone at V = 42.5
MAX CANDLEPOWER: 408.7

Photometric values based upon tests performed in compliance with LM-79. IES files can be downloaded at www.ilp-inc.com

lighting facts
A Program of the U.S. DOE

LUMINAIRE OUTPUT = 1221 Lumens
119.9V 0.1378A 16.46W

SUMMARY DATA

Light Output (Lumens)	1221
Watts	16.44
Lumens per Watt (Efficacy)	74.27
Color Accuracy Color Rendering Index (CRI)	87
Light Color Correlated Color Temperature (CCT)	3960 (Bright White)

Color Scale: Warm White (2700K), Bright White (3000K), Daylight (4000K), Cool White (5000K)

PLANE AND CONE DIAGRAM

Max plane at H = 180
Max cone at V = 42.5
MAX CANDLEPOWER: 408.7

Photometric values based upon tests performed in compliance with LM-79. IES files can be downloaded at www.ilp-inc.com